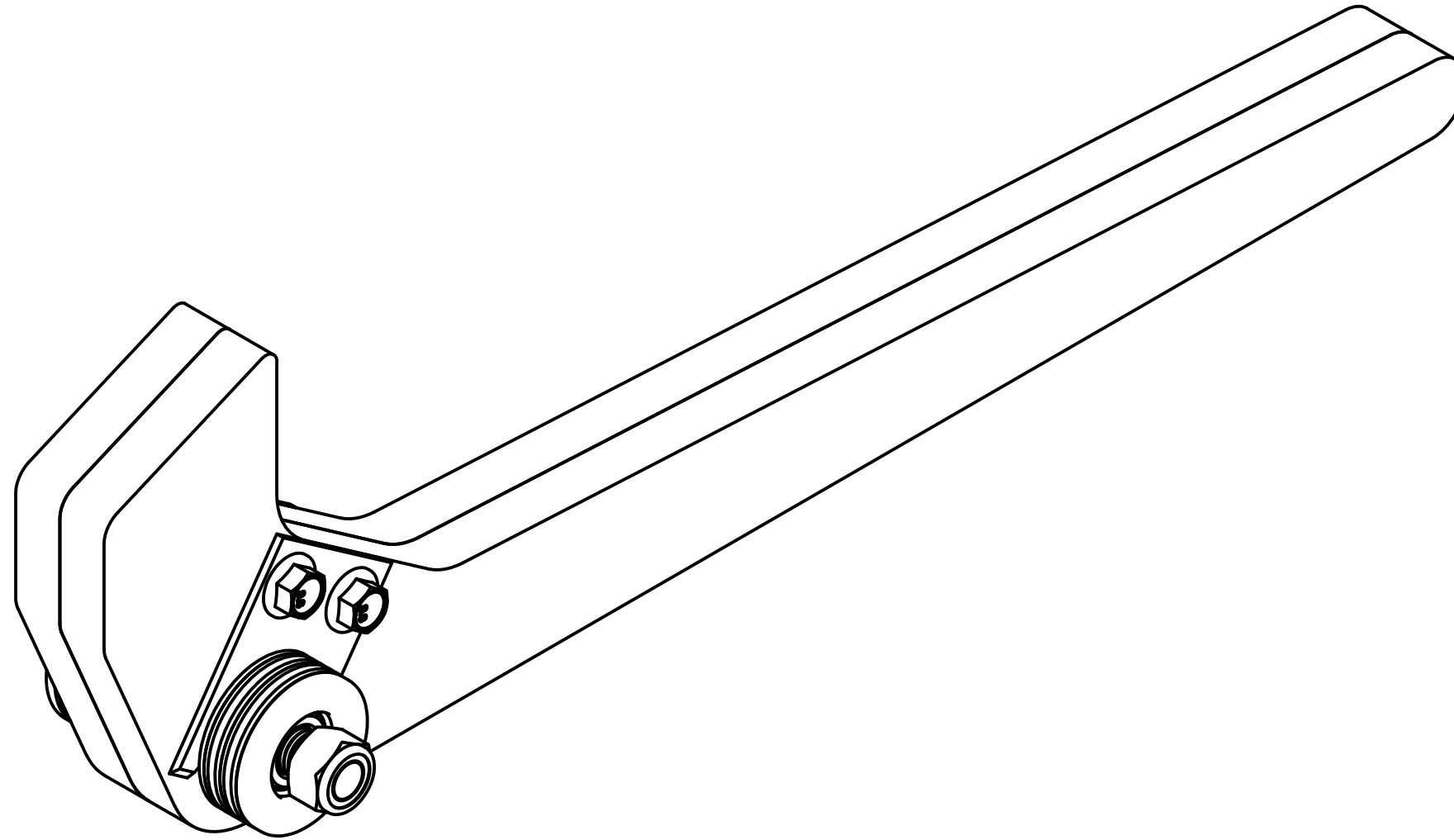

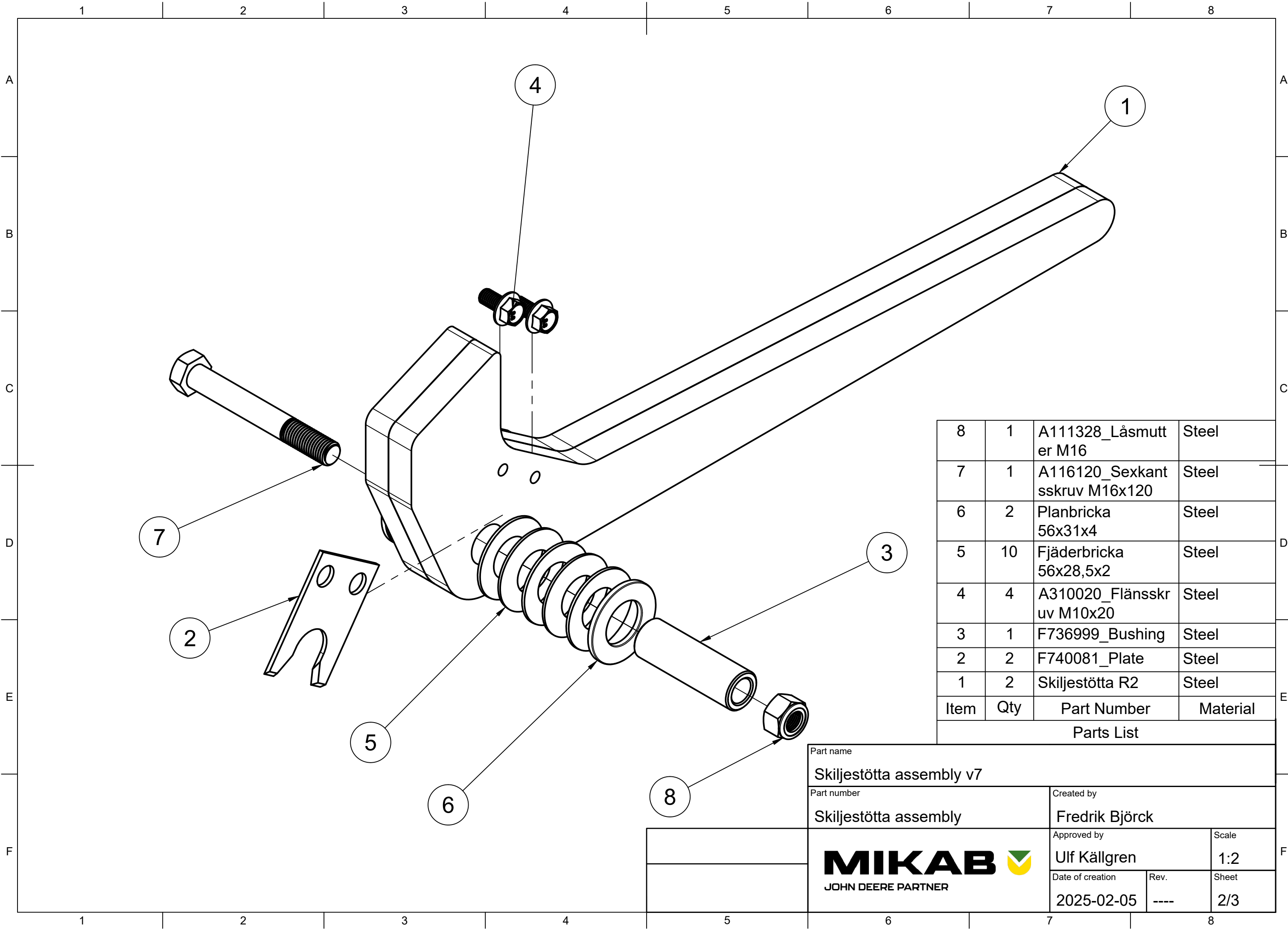


General tolerances according to ISO-2768m




Part name			
Skiljestötta assembly v7			
Part number		Created by	
Skiljestötta assembly		Fredrik Björck	
	Approved by		Scale
	Ulf Källgren		1:2
	Date of creation	Rev.	Sheet
2025-02-05	----	1/3	



Item	Qty	Part Number	Material
8	1	A111328_Låsmutter M16	Steel
7	1	A116120_Sexkantsskruv M16x120	Steel
6	2	Planbricka 56x31x4	Steel
5	10	Fjäderbricka 56x28,5x2	Steel
4	4	A310020_Flänskruv M10x20	Steel
3	1	F736999_Bushing	Steel
2	2	F740081_Plate	Steel
1	2	Skiljestötta R2	Steel

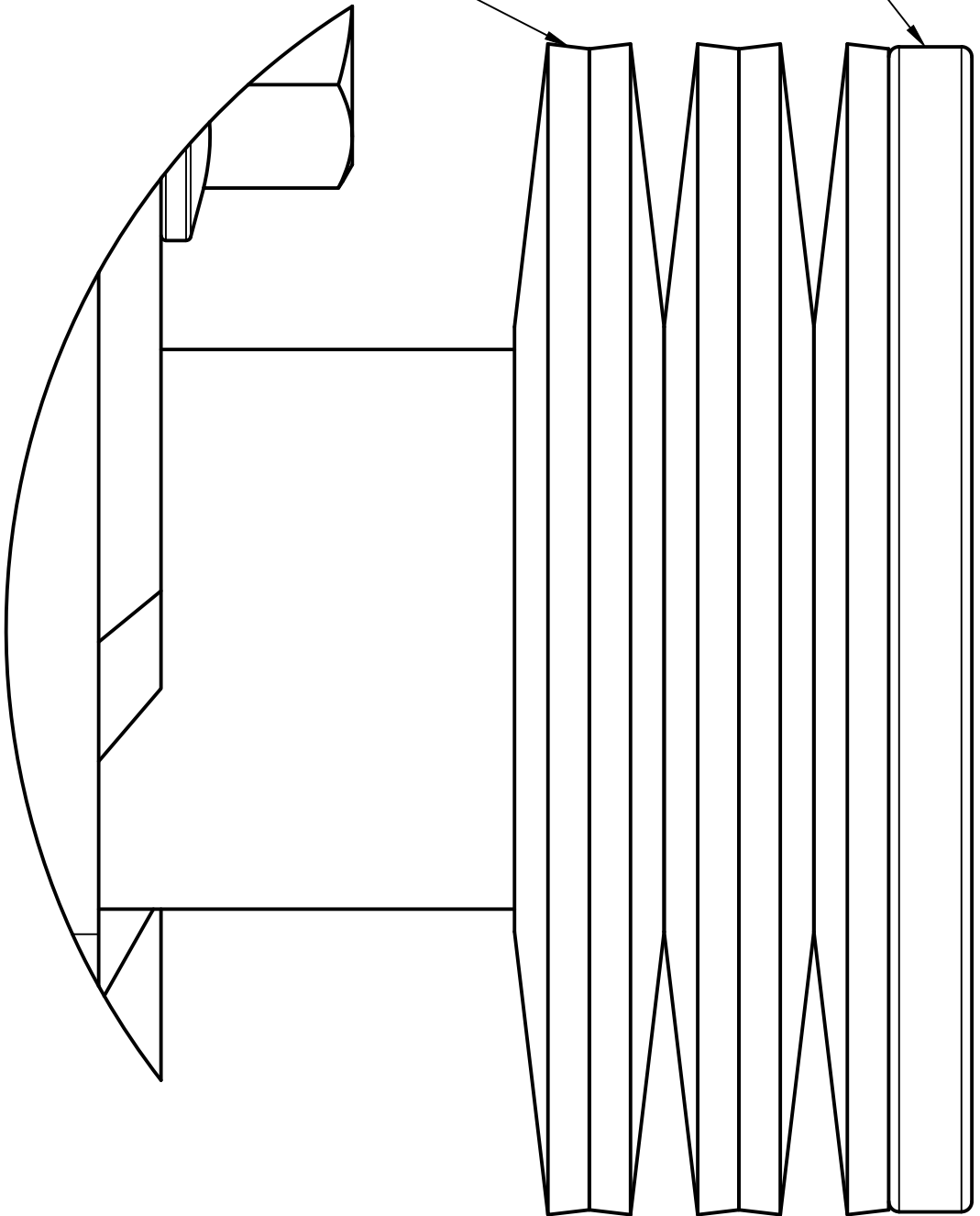
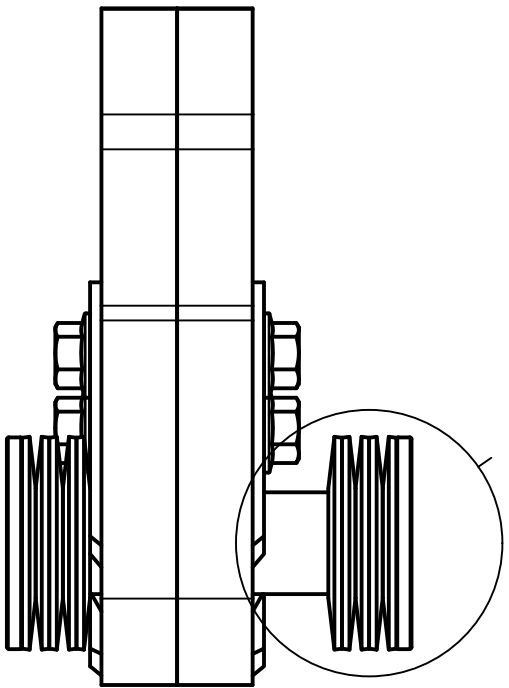
Parts List

Part name Skiljestötta assembly v7		
Part number Skiljestötta assembly		Created by Fredrik Björck
		Approved by Ulf Källgren
		Scale 1:2
Date of creation 2025-02-05	Rev. ----	Sheet 2/3

Fjäderbricka x5

A (3:1)

Planbricka



Part name			
Skiljestötta assembly v7			
Part number		Created by	
Skiljestötta assembly		Fredrik Björck	
	Approved by		Scale
	Ulf Källgren		1:2
Date of creation		Rev.	Sheet
2025-02-05		----	3/3